

# CQ DX CONTEST—CW SECTION

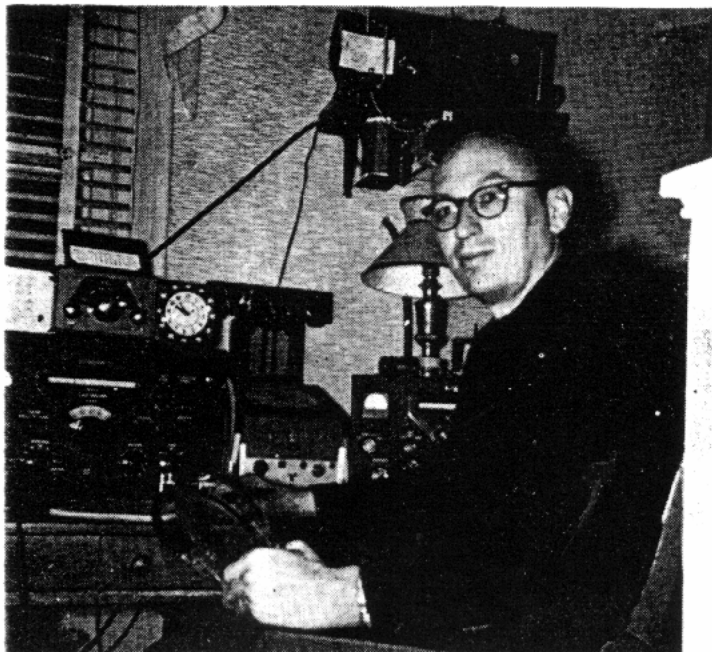
by FRANK ANZALONE, W1WY

**You can't hold down an old pro**, pardon me, amateur I mean. Winning contest is nothing new for W4KFC but I am sure Vic Clark has been planning for this one for some time. His 821,763 points beats all existing records for a Single Operator and his 393 multiplier was surpassed only by K2GL, with W7KVU at the key. But John lacked the contacts to give him top honors. Vic used all bands, even managing a multiplier of 5 on 160. Congratulations Vic, I am sure you will receive a great deal of satisfaction in winning the W2IOP trophy which Larry LaKashman is donating to the winner in the All Band CW Section.

The Top Ten looks like a battle of the East Coast giants, with four out of the first five being located east of the Mississippi. W3GRF and W8JIN need no introduction to the contest fraternity. Len and Jim will always be found among the leaders.

KH6IJ broke the domination by virtue of his 1240 contacts which far surpassed all the other single operators. One of these days Katashi is coming up with a good multiplier

**W4KFC—After 47 hours of operating, Vic finds time to relax.**



to back up his always record breaking number of QSOs.

VQ4AQ was the only other single operator to break the 1000 point barrier. That's a lot of brass pounding in one week-end.

Our last year's champion, 4X4BX also made the Top Ten but Sam did not have the multiplier to be in the running.

The rest of the Top Ten is made up of Europeans, PAØRE, DJ1BZ and OK1FF in that order. UA1DZ just missed the "charmed

**ON4SZ—That's ON4TX in the operating position with ON4SZ looking on. This pair also did very well in the Phone contest. ON4FL took the picture.**



**DJ3JZ—"O  
DJ3JZ, DL9**

circle." An know there but the boy

In case other high OK from the

Special n VK6RU and their respect and OH2X Island so the contest and

In the M finally broke operators h going at the plishment donating a Multi CW happy and proud.

CN8IF v 5A5TE, so is all the m greatly imp show a score To the ser goes the di

# ION

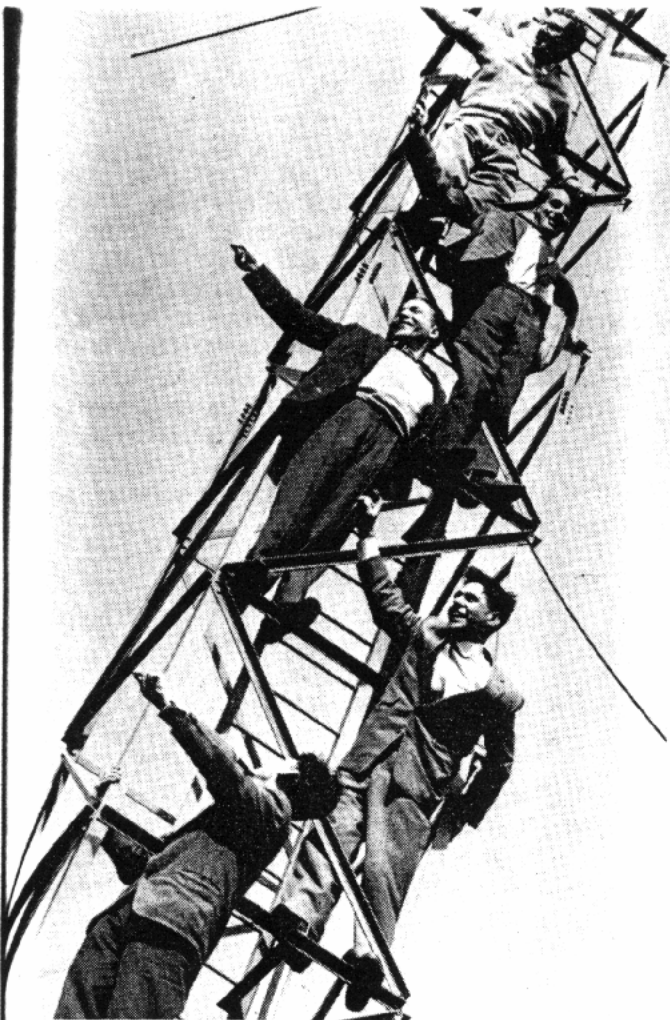
W1WY

breaking number

r single operator  
r. That's a lot of  
nd.  
X4BX also made  
t have the multi-

is made up of  
and OK1FF in  
ed the "charmed

operating position  
air also did very  
took the picture.



DJ3JZ—"Our signals went thata' way." Sez  
DJ3JZ, DL9CI, DL1CR, DJ1BP and DL3AO. Reading  
from top to bottom.

circle." An indication of things to come. We know there was great activity in the USSR, but the boys didn't get their logs thru to us.

In case you didn't know it, SVØWP, another high scorer, is W3JTC who used to do OK from this side of the pond.

Special mention must be made of JA1VX, VK6RU and CE3AG for their fine showing in their respective areas. And also for OH2YV and OH2XK who timed their trip to Aland Island so that they would be there during the contest and give the boys a new country.

In the Multi division, the gang at W6RW finally broke the million point barrier. Seven operators had as many as four transmitters going at the same time, which is an accomplishment in itself. Buzz Reeves, K2GL is donating a new trophy to the top station in the Multi CW division. This should make the boys happy and the Southern California DX Club proud.

CN8IF was only a two man team, as was 5A5TE, so their standing in the multi group is all the more impressive. The group at DJ3JZ greatly improved their last year's effort and show a score worthy of a multi operator station. To the service boys that manned KG6FAE goes the distinction of breaking the record in

number of contacts. In our World Wide Contest that is. Remember, ours only covers a 48 hour period. Did you see the picture in the Preliminary Report in the April issue? Must have been tough going Bill. Hi.

The Single Banders also made scores that might well stand for a long time. Is it possible that these conditions will last another year?

DL4AAP repeated his performance on 28 mc Phone by turning in another record breaking score on 28 mc CW. How do you do it Stew? CX2CO, Rick Jr. is following his OM's footsteps by taking top honors on 21 mc. Reliable Tom, G2LB, leads the pack on 14 mc by a wide margin and was the only Single Bander to hit 100 countries. Nice going Tom. W3BVN repeated his victory on 7 mc by bettering his last year's score in all departments. This in spite of complaints that 40 was below par.

The activity on 80 was confined mostly to the Europeans, with the top group all bunched together with the exception of SP5IA who lead by a comfortable margin. His score however is below last year's high on that band.

The graveyard that is known as 11 meters was only productive to the multiplier seekers. K6OPI however stuck it out long enough for us to award him a certificate for the ridiculous score of 361 points.

What happened to 160? I was down there trying to scare up some activity but only a

## SINGLE OPERATOR

All Band

### TOP TEN

**W4KFC - 821,763**

KH6IJ—794,364	VQ4AQ—668,388
W3GRF—776,457	PAØRE—668,289
K2GL—775,575	4X4BX—658,306
W8JIN—741,334	DJ1BZ—587,970
	OK1FF—578,694

## MULTI OPERATOR

All Band

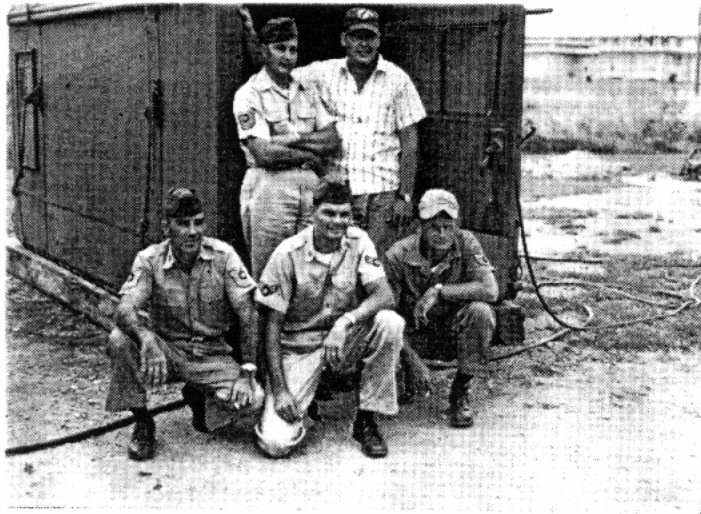
### TOP FIVE

**W6RW - 1,171,088**

CN8IF—773,640	5A5TE—712,272
DJ3JZ—754,580	KG6FAE—691,601

## SINGLE OPERATOR HIGH FOR EACH BAND

28 mc—DL4AAP—253,680
27 mc— K6OPI— 361
21 mc— CX2CO—193,719
14 mc— G2LB—213,112
7 mc— W3BVN— 58,138
3.5 mc— SP5IA— 6,936



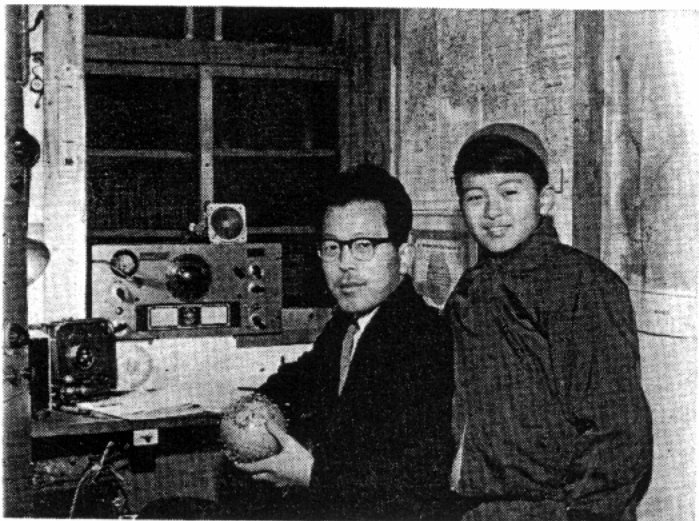
**KG6FAE**—The gang that broke all records in number of QSOs.

Front Row: K4AQL, K4OPI and WG6ANJ.  
Back Row: W4WHP and W5RYG.



**VE3API**—Neat lay-out that was All Band winner for Ontario.

**JATAA**—Hisaoshono and his son Yukito. The Globe shows a complete record of countries worked.



handful were interested. Maybe we should drop 11 and 160 in future contests. Any comments?

There is going to be a lot of eyebrow lifting when its discovered that the newly formed North Jersey DX Association is the winner of the CQ Plaque? How did they do it. The answer is very simple. A well organized and concerted effort by all its members. A look at the W2 returns will tell the story. The returns from the second district are double those received last year. Practically all those big scores at the head of the list are N J DX members. Does that answer your question? Congratulations fellows, I'll personally present the plaque at one of your meetings.

A few observations. That mysterious L7SP, St. Valsod Is. that showed up on 40 is no good. We cannot give you credit for a country multiplier. Never heard of him fellows.

The 14 mc and 21 mc WØ winners are teenagers. Guess the OMs out there are folding up.

I am sure there must have been more but we do know that W7QGF, VE5DZ and CR7LU are YL operators.

The Central High Radio Club moved their station WØLNI over to South Dakota to give the overseas boys a crack at that "rare" state.

The novices again failed to take advantage of an excellent opportunity to work some new countries. KN5LMJ had only 13 QSOs but he made WAC. And we remember seeing KN8EEN on ZC5AL's log. (Ed. Note — I'd settle for that one anytime.)

Again we are giving 2nd and 3rd place certificates in sections where the returns justified additional awards. However this year we have made the requirements a bit more stringent.

We have also decided to give the leading Foreign DX Club a separate award. We feel that competing against the USA clubs is a bit rugged. Therefore a certificate is being awarded to the winner in the foreign group, the Japan DX Radio Club.

In this section of the contest we received 933 entries from 90 different countries. Couple this with the returns from the Phone contest and we have a grand total of 109 countries and 1462 logs. This is an increase over last year but still a far cry from the number of stations we know were active. We are particularly disappointed in the lack of response from countries in our own hemisphere. Africa, Asia (excepting Japan) and the prefixes down under didn't do so well either. The bright spots were our own W/Ks and Europe, especially the OHs DL/DJs and SMs.

On my committee this year were the old reliables W2BO, "Mac" McIntire, W2JB, Ben Lazarus and we were ably assisted by W1GYE, Andy Malashuk, W1DHO, Guy Flower and W1MDO, Bob Entwistle.

Thank God thats over, now to catch up on my own country total before planning for next year's headache.

Number  
lowing: B  
number c  
Letter de  
watts; B-  
watts and  
**Bold-Face**

**NORTH**

**United S**

W1BH AB	50
W1ODW	225
W1JYH	107
W1ZD	97
W1FZ	93
W1PLJ	1
W1NLM	28 27
W1WY	12
W1AZY	21 64
W1CUX	3
W1CTW	26
W1HZ	14 74
W1DHO	30
W1OOS	4
W1ARR	7
W1BPW	1

K2GL AB	77
W2BXA	403
W2AIW	382
W2AGW	338
K2GMO	213
W2EQS	211
W2BOK	166
K2BZT	163
K2OPJ	131
W2YTH	127
K2YOR	123
W2JVU	113
K2HFX	99
K2OLS	94
W2DEC	89
W2HZY	88
K2LOC	68
W2LPE	63
W2CJM	45
W2KUW	37
W2TWC	34
W2DEW	33
W2QJM	32
K2OEA	26
W2TQC	24
W2CWK	16
W2AQT	16
W2GKE	14
K2OMT	8
W2BUI	6
W2QDY	2
W2AOY	1
W2CVW	1
W2KGD	1
W2LRJ	1
W2PTI	28 40
W2DKS	19
W2SAW	16
W2WZ	21 126
W2PTD	21 75
W2TQR	50
W2GJD	53
W2CYS	49
W2HTH	43
W2KFP	40
K2KUR	27
W2DJT	24
K2VFR	17
K2PFC	10
W2BJH	8
W2ZXL	8
K2MRB	3
K2PPV	1
W2BVE	1
W2GUM	14 115
W2SUC	84
K2DCA	83
W2JT	71
W2ABM	31
W2QKJ	21
W2CGJ	19
W2GVZ	5
W2JB	2
K2QHL	2
W2BYN	2
K2IKS	1
K2PHF	3.5

W3GRF AB	77
W3DBX	208
W3ZAO	140
W3MSR	129
W3KTW	53
W3CGS	21

e we should  
sts. Any com-

yebrow lifting  
newly formed  
the winner of  
y do it. The  
organized and  
ers. A look at  
. The returns  
ible those re-  
ose big scores  
DX members.  
? Congratula-  
ent the plaque

terious L7SP,  
40 is no good.  
country multi-  
s.  
ners are teen-  
e folding up.  
een more but  
VE5DZ and

o moved their  
akota to give  
t "rare" state.  
like advantage  
ork some new  
13 QSOs but  
ember seeing  
l. Note — I'd

3rd place cer-  
turns justified  
year we have  
e stringent.  
e the leading  
ard. We feel  
clubs is a bit  
being awarded  
up, the Japan

we received  
ntries. Couple  
Phone contest  
countries and  
over last year  
er of stations  
rticularly dis-  
e from coun-  
ica, Asia (ex-  
down under  
ht spots were  
ially the OHs

were the old  
e, W2JB, Ben  
l by W1GYE,  
/ Flower and

o catch up on  
inning for next

Number groups after call letters denote fol-  
lowing: Band, final score, number of QSOs,  
number of Zones and number of Countries.  
Letter designates power used. A—Up to 35  
watts; B—Up to 150 watts; C—Up to 500  
watts and D—Over 500 watts. **Winners are in  
Bold-Face Type.**

## Single Operator

### NORTH AMERICA

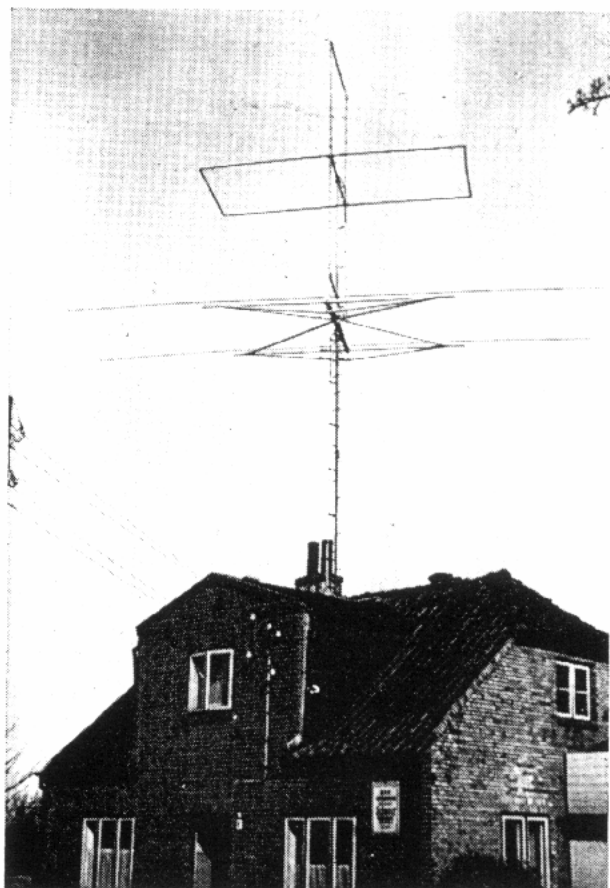
#### United States

W1BIH AB	501,676	561	105	217	D	W3KPI	**	20,088	84	27	54—
W1ODW	228,800	380	71	149	D	W3JO	**	2,760	30	22	24—
W1JYH	105,248	212	52	124	D	<b>W3HEC</b>	<b>28</b>	<b>88,271</b>	<b>310</b>	<b>32</b>	<b>70 D</b>
W1ZD	97,580	221	55	109	D	W3TLN	**	44,226	188	26	55—
W1FZ	93,483	212	45	108	D	W3MQC	**	24,795	145	16	41 D
W1PLJ	1,679	27	8	15	B	W3TJL	**	7,298	63	13	28 B
<b>W1NLM</b>	<b>27,690</b>	<b>127</b>	<b>25</b>	<b>53</b>	<b>C</b>	W3QQL	**	1,798	22	10	19 B
W1WY	12,650	85	18	37	A	<b>W3HIB</b>	<b>21</b>	<b>32,718</b>	<b>141</b>	<b>25</b>	<b>57 C</b>
<b>W1AZA</b>	<b>64,800</b>	<b>226</b>	<b>31</b>	<b>69</b>	<b>C</b>	W3ZQ	**	27,664	134	25	51 D
W1CUX	34,782	196	19	43	D	W3RZL	**	27,222	127	25	53 C
W1CTW	26,250	120	25	50	D	W3NCF	**	23,680	112	23	57 C
<b>W1HZ</b>	<b>74,125</b>	<b>216</b>	<b>34</b>	<b>91</b>	<b>D</b>	W3BQA	**	9,960	65	21	39 B
W1DHO	30,338	162	25	52	B	W3LEZ	**	3,344	32	16	22 D
W1OOS	4,437	34	22	29	C	W3GRO	**	2,184	35	15	23 B
<b>W1ARR</b>	<b>7,972</b>	<b>78</b>	<b>17</b>	<b>34</b>	<b>C</b>	<b>W3AYS</b>	<b>14</b>	<b>56,571</b>	<b>190</b>	<b>34</b>	<b>75 D</b>
W1BPW	1,380	24	7	16	B	W3ADZ	**	46,072	159	31	70 D
K2GL AB	775,575	675	134	271	D	W3ELZ	**	32,712	138	30	57 D
<b>W2BXA</b>	<b>403,516</b>	<b>522</b>	<b>86</b>	<b>195</b>	<b>D</b>	K3CBQ	**	23,115	121	24	45 D
W2AIW	382,080	533	78	162	D	W3AEL	**	22,080	127	19	41 D
W2AGW	338,558	491	75	167	D	W3KA	**	816	17	5	11 B
K2GMO	214,056	359	69	147	D	<b>W3BVM</b>	<b>7</b>	<b>58,138</b>	<b>254</b>	<b>25</b>	<b>57 D</b>
W2EZO	211,560	330	94	164	D	W3CPB	**	10,692	73	18	36 C
W2BOK	166,361	306	57	134	B	W3IIF	**	1,122	45	10	12 C
K2BZT	162,266	359	49	109	C	W3EIS	<b>3.5</b>	<b>880</b>	<b>29</b>	<b>8</b>	<b>12—</b>
K2OPJ	131,008	275	62	132	B	<b>W4KFC</b>	<b>AB</b>	<b>821,763</b>	<b>755</b>	<b>124</b>	<b>269 D</b>
W2YTH	127,046	300	43	96	C	K4GMT	**	226,347	398	75	134 D
K2YOR	124,528	251	58	123	D	W4PNK	**	133,856	277	60	118 D
W2JVU	112,054	260	57	122	D	W4GXB	**	85,020	192	55	101 D
K2BFX	99,696	277	42	92	D	W4JAT	**	79,980	191	53	102 C
K2OLS	94,276	227	42	106	D	W4OMW	**	23,214	90	44	62 C
W2DEC	89,232	196	62	114	C	K4HXF	**	19,749	81	34	53 D
W2HZY	86,560	194	47	113	D	W4HKJ	**	11,456	65	22	42 D
K2LOC	68,550	199	39	79	D	W4GF	**	5,136	41	20	28 C
W2LPE	62,675	201	36	73	C	K4KES	**	4,992	42	20	28 B
W2CJM	45,120	130	35	85	C	W4IEH	**	3,735	30	18	27 D
W2KTU	37,944	125	46	78	D	K4ORQ	**	2,842	40	10	19—
W2TWC	34,632	110	40	71	C	W4OEL	**	1,506	26	5	16 B
W2DEW	33,804	116	38	70	C	<b>K4CFB</b>	<b>21</b>	<b>4,130</b>	<b>44</b>	<b>14</b>	<b>21 B</b>
W2QJM	32,806	123	31	63	—	W4NYF	**	3,888	36	18	30—
K2OEA	26,696	98	29	65	B	K4HQD	**	2,418	28	11	20 B
W2TQC	24,552	102	31	62	C	K4APN	**	77	5	3	4 B
W2CWK	16,954	66	31	64	C	<b>W4LZF</b>	<b>14</b>	<b>78,408</b>	<b>204</b>	<b>39</b>	<b>93 D</b>
W2AQT	16,575	86	23	52	B	W4BQY	**	55,611	182	33	78 D
W2GKE	14,320	75	30	50	B	W4LYV	**	34,068	117	33	69 C
K2OMT	8,294	53	21	37	B	W4OM	**	20,880	87	26	54 D
W2BFI	6,555	36	24	33	B	K4PDV	**	16,880	80	23	57 B
W2QDY	2,730	26	17	22	B	W4SIB	**	14,664	69	29	49 D
W2A0Y	1,392	21	13	16	B	K4IEX	**	3,780	37	15	27 B
W2CWW	736	15	13	13	—	K4SCW	**	612	15	5	12 C
W2KGD	527	16	7	10	B	W4ZQK	**	204	7	6	6 B
W2LRJ	391	9	9	8	C	<b>W5ZD</b>	<b>AB</b>	<b>67,728</b>	<b>186</b>	<b>51</b>	<b>85 D</b>
<b>W2PTI</b>	<b>49,248</b>	<b>209</b>	<b>25</b>	<b>56</b>	<b>C</b>	K5GHB	**	13,175	69	39	46 B
W2DKS	19,460	96	23	47	B	K5DGI	**	11,715	60	29	42 B
W2SAW	16,364	80	24	50	C	W5CK	**	8,308	42	28	39 C
<b>W2WZ</b>	<b>126,360</b>	<b>429</b>	<b>33</b>	<b>75</b>	<b>D</b>	<b>W5KC</b>	<b>28</b>	<b>27,144</b>	<b>128</b>	<b>24</b>	<b>54—</b>
W2PTD	75,764	283	28	66	C	W5QF	**	14,136	89	17	40 B
W2TQR	56,032	196	33	70	B	<b>W5NOP</b>	<b>14</b>	<b>30,711</b>	<b>121</b>	<b>29</b>	<b>58 D</b>
W2GJD	55,593	223	29	58	D	<b>W5UVR</b>	<b>7</b>	<b>1,372</b>	<b>27</b>	<b>14</b>	<b>14 B</b>
W2CYS	49,720	154	34	79	—	<b>W6ITA</b>	<b>AB</b>	<b>451,572</b>	<b>539</b>	<b>104</b>	<b>207 D</b>
W2HTH	43,434	159	29	60	C	<b>W6VSS</b>	<b>AB</b>	<b>306,166</b>	<b>427</b>	<b>98</b>	<b>168 D</b>
W2KFP	40,080	174	24	56	B	W6TT	**	298,596	410	120	178 D
K2KUR	27,489	129	23	54	A	W6TF	**	151,064	299	68	124 D
W2DJT	24,063	119	25	48	B	W6KG	**	131,990	286	85	112 D
K2VFR	17,712	88	25	47	C	W6BPD	**	105,462	229	75	111 D
K2PFC	10,179	64	21	38	—	W6SRF	**	83,634	206	66	93 D
W2BJH	8,493	56	21	36	D	W6AM	**	79,432	245	75	92 D
W2ZXL	8,012	65	13	29	B	W6BZE	**	54,352	123	56	76 D
K2MRB	3,315	34	16	23	B	W6YMH	**	40,250	133	53	72 C
K2PPV	1,058	20	10	13	—	W6AMO	**	17,370	93	44	46 C
W2BVE	480	10	5	6	B	W6BYH	**	16,995	82	32	47 D
<b>W2GUM</b>	<b>118,125</b>	<b>331</b>	<b>37</b>	<b>88</b>	<b>D</b>	W6IPH	**	11,285	66	31	40 B
W2SUC	84,410	258	36	79	D	W6RLP	**	11,060	55	30	49—
K2DCA	82,650	254	31	80	D	K6LRN	**	10,320	69	30	30 B
W2JCT	71,205	235	29	72	D	W6PYM	**	9,927	58	22	37 D
W2ABM	31,872	138	26	57	D	W6KNM	**	5,904	50	20	28—
W2QKJ	21,363	100	20	47	C	W6ISQ	**	3,168	33	17	15 B
W2CGJ	19,053	97	22	51	C	K6THZ	**	3,100	31	24	26—
W2GVZ	5,248	56	9	23	C	K6PHD	**	2,992	29	21	23—
W2JB	2,625	27	11	24	C	K6IYJ	**	2,415	35	17	18 C
K2QHL	2,592	30	10	22	C	<b>W6PQW</b>	<b>28</b>	<b>30,000</b>	<b>151</b>	<b>24</b>	<b>51 B</b>
W2BYN	814	13	10	12	D	W6GWQ	**	4,407	50	17	22 D
K2IKS	240	8	3	7	A	K6ANP	**	4,256	43	17	21 B
K2PHF	760	21	7	12	C	<b>K6OPI</b>	<b>27</b>	<b>361</b>	<b>12</b>	<b>10</b>	<b>9 B</b>
<b>W3GRF</b>	<b>776,457</b>	<b>766</b>	<b>113</b>	<b>250</b>	<b>D</b>	<b>W6FUF</b>	<b>21</b>	<b>44,805</b>	<b>186</b>	<b>29</b>	<b>58 D</b>
W3DBX	208,613	322	73	154	B	K6SXA	**	37,752	171	32	56 C
W3ZAO	140,230	234	82	139	C	W6JWT	**	35,629	157	25	54 D
W3MSR	129,580	261	78	131	D	W6BUD	**	30,108	141	27	51—
W3KTR	55,578	172	39	79	C	W6SIA	**	17,160	105	22	38 D
W3CGS	21,294	82	33	58	D	W6BSY	**	15,392	78	28	46 B
						W6ID	**	14,427	84	24	39 D
						K6DCE	**	11,658	71	21	37 D
						WA6ACW	**	7,353	50	23	34 D



DJ1BZ—Lot celebrating his victory. High Man for Germany.

DJ2LK—Antenna set-up at DJ2LK.





.649 31 12 29 C  
 .784 37 19 24 B  
 .984 155 24 52 D

.510 451 108 202 D  
 .332 150 49 85 C  
 .130 111 48 71 B  
 .690 104 30 65 D  
 .520 51 25 35 B  
 .222 176 22 52 C  
 .548 159 26 52 C  
 .664 118 21 42 B  
 .460 123 20 40 B  
 .722 119 18 39 D  
 .481 95 24 37 C  
 .370 68 15 30 C  
 .452 25 9 13 B  
 .813 186 23 50 C  
 .080 108 26 54 C  
 .632 52 18 35 B  
 .150 31 19 23 C  
 .304 10 8 8 A  
 .536 402 37 95 D  
 .870 294 36 86 D  
 .908 284 35 88 D  
 .852 200 29 63 D  
 .844 170 35 73 D  
 .940 103 30 62 D  
 .744 103 20 46 C  
 .936 85 24 40 D  
 .477 76 26 51 D  
 .826 82 19 43 C  
 .000 48 19 31 C  
 .600 13 8 12 C

684 35 9 10 C

140 257 79 141 D  
 300 217 51 99 D  
 404 183 51 97 D

152 146 61 91 C  
 492 54 24 33 B  
 348 66 15 29 B

059 36 13 28 B  
 320 25 10 12 B  
 560 152 28 52 D  
 255 128 25 54 C  
 352 191 32 66 C  
 664 100 26 43 C  
 000 74 20 35 C  
 427 66 22 31 D  
 382 28 16 18 B  
 344 37 16 17 C

.013 237 19 34 B

co

564 51 14 19 B

Miquelon Is  
 300 275 7 14 C

ands

.148 204 10 18 D

RICA

.162 208 16 42 D

m Is.

.160 54 13 13 C

.538 582 56 118 C  
 .944 108 14 24 B  
 .710 113 13 22 B

ongo

.780 598 65 145 B  
 .769 225 23 40 A

Is.

.160 28 9 18 C

French

.150 18 10 13 B

Spanish

.484 259 26 56 B  
 .225 139 7 8 B

88 1044 70 149 C

Is.

.160 28 9 18 C

French

.150 18 10 13 B

Spanish

.484 259 26 56 B  
 .225 139 7 8 B

.508 108 7 10 B

**Mozambique**  
 CR7LU AB 7,000 65 16 24 B

**Rhodesia, No.**  
 VQ2AS AB 175,279 436 49 90 C

**Rhodesia, So.**  
 ZE1JN AB 46,508 210 28 49 B  
 ZE3JO " 42,066 181 31 51 B

**Ruanda-Urundi**  
 OQ0VN 14 28,656 144 26 46 B

**South Africa**  
 ZS5U AB 40,918 176 40 42 C  
 ZS10 " 3,255 38 18 13 B

**Tanganyika**  
 VQ3GC AB 76,320 248 31 75 B  
 VQ3SS 28 13,406 166 7 20 B

**ASIA**

**Bahrain Is.**  
 MP4BCG 21 5,208 61 10 21 B

**Burma**  
 XZ2TH 14 45,360 230 24 46 B

**Ceylon**  
 4S7WP 14 28,792 170 22 37 A

**Israel**  
 4X4BX AB 658,306 889 67 186 C  
 4X4FS " 484,120 840 55 141 C  
 4X4CK " 323,380 565 53 132 C

**Japan**  
 JA1VX AB 416,584 813 64 109 D  
 JA7AD " 138,086 420 47 66 B  
 JA1BFJ " 49,932 160 51 63 A  
 JA2BL " 15,768 75 34 38 A  
 JA3AA " 11,658 73 29 29 C  
 JA1ACA " 7,890 61 26 22 B  
 JA3CS " 5,258 81 12 10 B  
 JA8FO " 1,584 44 7 5 B  
 JA1Q1 " 252 12 4 3 C  
 JA3AB 28 75,392 412 23 39 C  
 JA1C0 " 56,108 370 18 34 C  
 JA1EC " 3,250 47 13 12 B  
 JA1ACB 21 83,880 396 24 48 C  
 JA8A " 29,610 162 23 40 B  
 JA9BE " 24,075 186 19 26 B  
 JA1AS " 22,389 152 22 29 B  
 JA3BB " 20,064 142 20 28 C  
 JA3AM " 18,081 133 20 29 A  
 JA2JW " 11,094 90 20 23 B  
 JA1AFF " 4,316 60 13 13 B  
 JA3GX " 3,168 35 16 16 A  
 JA1BQR " 615 15 8 7 A  
 JA1AA 14 161,798 568 34 64 C  
 JA8AA " 108,416 416 31 52 C  
 JA2DN " 27,898 139 30 44 C  
 JA1CC " 17,800 156 18 22 C  
 JA5AA " 16,167 107 23 28 B  
 JA1KF " 12,040 110 19 21 C  
 JA2WB " 9,635 93 18 23 B  
 JA1AB " 574 16 8 6 B  
 JA1NI 7 3,475 53 13 12 B

KA8KW 14 24,168 223 19 19 B  
 KA2MP 21 3,875 46 15 16 B

**Lebanon**  
 OD5LX AB 130,559 310 43 100 B  
 OD5BZ 14 65,331 351 19 44 B

**Mongolia**  
 JT1AA 14 6,842 108 11 11 B

**Ryukyu Is.**  
 KR6BW AB 7,436 50 23 29 C  
 KR6BF 21 44,744 237 27 41 B  
 KR6RY 14 32,704 193 29 44 C  
 KR6AK 7 9,800 106 17 18 C

**Syria**  
 YK1AT AB 24,583 137 17 44 C

**USSR-Georgia**  
 UF6FB AB 6,302 49 15 31 B

**EUROPE**

**Aland Island**  
 OH2YV/O AB 92,358 387 37 89 B  
 OH2XK/O " 40,984 262 33 76 B  
 OH0NC 28 288 24 3 9 B

**Austria**  
 OE3VP AB 107,793 342 51 126 B  
 OE1TA " 90,206 409 36 76 C  
 OE6RP " 54,405 211 47 108 A

OE5SD " 30,324 190 23 53 B  
 OE6BN " 15,622 144 21 52 C  
 OE1RZ 14 64,024 245 33 73 C  
 OE8SH " 23,386 137 23 99 C

**Belgium**  
 ON4UF AB 24,779 125 34 37 B  
 ON4EG " 6,570 85 13 29 C  
 ON4LX " 2,548 38 13 15 C

**Channel Islands**  
 GC3HFE AB 14,749 143 18 31 B  
 GC2FZC " 8,738 103 15 19 B

**Corsica**  
 F9QV/FC AB 173,340 580 45 90 B

**Czechoslovakia**  
 OK1FF AB 578,694 895 77 181 B  
 OK1XQ AB 225,817 412 65 174 B  
 OK1KTI " 121,125 572 30 65 B  
 OK1JX " 81,836 277 46 118 B  
 OK1AEH " 42,180 202 35 76 B  
 OK3EE " 41,151 179 35 94 B  
 OK1KCB " 33,725 196 25 70 B  
 OK1KDR " 27,360 209 24 66 B  
 OK2KTB " 21,888 109 20 52 B  
 OK1EB " 18,492 201 28 64 C  
 OK1AAB " 12,510 114 12 33 B  
 OK1KCF " 11,500 112 18 28 B  
 OK2KAU " 10,150 73 20 30 B  
 OK1ZW " 9,169 121 19 34 B  
 OK2JL " 8,236 156 13 43 B  
 OK1MP " 7,619 110 11 43 B  
 OK1CX " 2,720 36 15 25 B  
 OK2KEH " 1,530 90 8 22 C  
 OK1LM 21 144,627 585 28 69 C  
 OK1MB " 116,737 457 35 72 C  
 OK2KBE " 27,999 258 18 43 A  
 OK2KLL " 18,358 154 19 48 B  
 OK1LK " 6,816 95 15 33 B  
 OK1YU " 2,263 52 8 23 B  
 OK1JH " 2,096 50 8 19 A  
 OK1UY " 400 25 4 12 C  
 OK2KBH " 330 22 5 10 A  
 OK1KJ 7 10,191 179 9 34 B  
 OK3EA " 2,970 101 5 22 B  
 OK2NR/1 " 525 36 3 12 A  
 OK20P 3.5 3,200 99 5 27 A  
 OK1ZA " 2,813 105 5 24 C  
 OK2LN " 1,610 72 4 19 A  
 OK2BEK " 544 24 3 13 A

**Denmark**  
 OZ7BG AB 377,000 553 85 205 C  
 OZ4FF " 142,680 490 49 125 B  
 OZ6RL " 8,586 68 13 27 B  
 OZ3SN " 2,910 49 11 19 C  
 OZ6HS " 240 32 5 10 B  
 OZ7G 28 7,308 71 14 28 B  
 OZ4RT 21 1,802 39 8 26 C  
 OZ3UD 14 4,901 109 7 22 C  
 OZ9KC " 3,536 82 9 25 B  
 OZ7BW " 1,836 49 8 10 C

**England**  
 G3FPQ AB 429,975 714 72 173 B  
 G3FXB AB 386,334 660 69 165 B  
 G2DC " 311,344 548 62 170 B  
 G3HCL " 272,108 603 62 174 B  
 G3KKP " 260,414 612 54 124 B  
 G3EYN " 174,720 394 50 142 B  
 G2HPP " 109,495 354 49 150 B  
 G3JVT " 105,792 292 48 126 B  
 G3KAY " 91,848 311 53 127 C  
 G3AJB " 74,391 282 40 97 B  
 G3HBR " 63,036 277 25 77 B  
 G6RC " 51,483 183 43 80 B  
 G8DI " 39,483 215 26 83 C  
 G2AOL " 38,226 165 45 93 B  
 G2TA " 10,638 99 19 35 C  
 G3KSH " 4,032 59 12 36 C  
 G3GUP " 1,116 44 12 22 C  
 G3IGX " 836 20 8 11 C  
 G3BHT 28 35,441 249 18 43 B  
 G2BVN " 20,723 155 18 35 B  
 G3HTW " 396 33 2 2 B  
 G3DOG 21 78,280 347 31 64 B  
 G3JSV " 7,097 96 10 27 B  
 G2LB 14 213,112 701 36 100 C  
 G4CP " 145,464 631 38 85 B  
 G5RP 7 14,014 181 10 39 B  
 G3ESF " 7,056 98 9 33 B

OH3RS " 32,940 161 28 80 B  
 OH2HG " 22,018 110 35 66 B  
 OH3UO " 13,392 120 18 36 B  
 OH3TG " 11,475 101 24 61 B  
 OH2LA " 9,840 76 23 37 B  
 OH3TH " 9,317 80 22 55 A  
 OH2KQ " 6,900 50 27 42 B  
 OH3RA " 5,066 43 23 34 B  
 OH3TI " 2,704 34 18 34 A  
 OH2RD " 1,900 45 11 27 B  
 OH1RX " 1,860 39 11 20 B  
 OH2AA " 1,584 36 11 22 B  
 OH2GG " 608 35 6 13 C  
 OH2RW " 488 15 9 10 B  
 OH6RC " 50 6 4 6 C  
 OH3RU 28 13,912 168 13 34 B  
 OH5OU " 13,426 178 14 34 B  
 OH2GC " 4,798 97 8 21 B  
 OH3RA " 2,419 30 14 27 B  
 OH6RC " 2,380 44 13 25 B  
 OH5RH 21 45,815 357 17 38 B  
 OH5NJ " 14,807 93 23 44 A  
 OH3TY " 7,685 69 17 36 A  
 OH3TE " 6,642 70 13 28 C  
 OH3TT " 5,916 66 15 36 A  
 OH9QL " 5,418 77 11 31 A  
 OH5OT " 4,500 85 8 28 A  
 OH8QA " 3,496 48 12 26 B  
 OH2LO " 1,288 31 8 20 A  
 OH1SY 14 62,118 236 31 71 B  
 OH7NW 14 16,224 133 19 33 B  
 OH5OV " 14,570 161 12 35 B  
 OH1TM " 10,948 85 20 47 A  
 OH2IK " 10,800 98 19 41 B  
 OH3NJ " 10,608 107 14 38 C  
 OH9OB " 9,300 100 14 36 B  
 OH5RO " 7,009 75 14 29 B  
 OH6QZ " 6,630 65 14 37 A  
 OH5OA " 5,133 73 12 17 B  
 OH1TA " 4,730 73 11 32 B  
 OH2JF " 3,458 61 10 28 B  
 OH1SN " 3,444 38 15 26 B  
 OH2IZ " 2,624 65 8 24 A  
 OH2VZ " 1,196 28 7 16 C  
 OH5PG " 684 28 5 14 A  
 OH7NF 7 11,856 194 13 35 C  
 OH2ZR " 5,840 137 7 33 B  
 OH2KE " 4,218 122 8 29 B  
 OH8ND " 2,052 74 5 22 B  
 OH3NY " 1,971 63 6 21 C  
 OH2HK " 800 23 8 17 B  
 OH5OZ " 442 24 5 12 B  
 OH8PZ " 210 12 5 9 A  
 OH2MA 3.5 3,828 133 4 25 B

**France**  
 F3AT AB 165,620 441 50 119 C  
 F8TM " 127,359 384 52 107 B  
 F8FTQ " 91,680 269 35 85 C  
 F9BB " 40,392 216 20 48 B  
 F9DW " 9,455 71 22 38 B  
 F8DF 28 418 14 6 5 C  
 F9RS 14 4 108 53 14 38 B

**Germany**  
 DJ1BZ AB 587,970 821 87 195 C  
 DL7AA AB 471,828 632 95 192 C  
 DL7CW AB 345,040 635 66 161 C  
 DL7DF " 204,978 366 78 176 B  
 DL3LU " 178,126 352 72 149 C  
 DM2ABL " 135,648 408 49 108 C  
 DJ3KR " 94,880 302 46 114 B  
 DL7EN " 92,916 255 56 118 B  
 DL3ZI " 88,290 256 52 110 B  
 DL7GQ " 84,799 284 46 97 C  
 DL7BC " 78,570 209 61 133 B  
 DJ2KU " 70,848 344 29 79 B  
 DL1YA " 57,996 199 51 111 C  
 DL3DD " 54,440 180 33 80 B  
 DL3RK " 50,685 192 48 107 B  
 DM2A10 " 30,613 148 37 84 B  
 DL1IA " 26,322 121 40 42 B  
 DL1GN " 25,920 188 27 81 B  
 DL1ES " 14,776 116 24 59 B  
 DJ2OV " 14,555 126 26 45 B  
 DL1XX " 12,136 92 24 50 A  
 DL1QX " 9,480 116 14 16 B  
 DJ2AV " 9,135 80 13 32 B  
 DJ2XP " 7,316 102 17 45 C  
 DL6NC " 4,324 34 12 11 C  
 DM2A8B " 2,418 32 16 15 B  
 DL6OS " 1,482 26 8 11 B  
 DJ3PY " 1,450 48 8 21 A  
 DJ2TI " 962 39 4 2 C  
 DL1JG " 30 3 3 3 C  
 DL1QT 28 44,548 224 24 50 B  
 DL6DF " 17,934 157 14 28 A  
 DL3BK " 6,960 66 16 24 C  
 DJ1TS " 2,373 51 8 13 B  
 DL6NW " 702 21 8 10 B  
 DM2AEB " 270 18 3 2 B  
 DL2LM 21 36,271 177 27 56 B  
 DL1JW " 15,839 136 15 32 C  
 DL6CL " 8,450 98 14 36 B  
 DJ2HR " 7,420 88 10 25 B  
 DL9BG " 5,190 63 13 77 B  
 DL3BO " 4,650 70 12 19 C  
 DL1PB " 2,414 34 9 23 B  
 DL9PJ " 790 27 3 7 B  
 DL6MK 14 95,982 360 31 71 C  
 DL3DU 14 80,037 297 32 71 C  
 DJ2AE " 71,482 318 31 72 C  
 DJ2LK " 71,080 328 28 57 B  
 DL6WD " 63,924 313 22 62 B

DL9TJ " 60,768 297 29 67 B  
 DJ3BW " 42,048 258 22 50 B  
 DL1TH " 19,941 124 19 50 C  
 DJ2PO " 12,250 98 15 34 B  
 DL6KC " 7,446 77 17 34 C  
 DJ2WH " 6,751 94 10 33 B  
 DL1EA " 5,734 123 15 32 B  
 DL6KF " 5,050 55 16 34 B  
 DL8DF " 3,277 50 9 20 C  
 DL9ZE " 2,760 64 9 21 C  
 DJ2IR " 1,920 43 8 12 B  
 DL9WS " 1,083 33 7 12 B  
 DL1KS 7 10,388 170 11 38 C  
 DL7CY " 294 20 4 10 B  
 DJ3JN " 215 27 2 6 A  
 DL9AX " 80 11 2 6 A  
 DJ3WA 3.5 3,894 114 5 28 B  
 DJ1VC " 3,680 112 5 27 B  
 DJ1HJ " 25 5 2 3 B

DL4YE AB 187,944 625 39 84 B  
 DL4AAP 28 253,680 728 36 84 C  
 DL4EAC 14 35,583 188 25 62 B  
 DL4MSA " 5,247 73 10 23 C

**Greece**  
 SV0WP AB 514,998 973 64 134 C  
 SV0WR " 202,581 843 36 87 C

**Hungary**  
 HA8WS AB 180,048 469 55 121 C  
 HA5AL " 88,015 334 44 101 C  
 HA5KBC " 62,580 306 32 73 B  
 HA5DH " 49,020 258 35 51 B  
 HA5DU " 44,100 256 27 48 B  
 HA5BW " 40,176 190 38 70 C  
 HA5BI " 30,780 187 29 85 B  
 HA5HN " 20,020 171 16 54 B  
 HA5BO " 10,048 104 18 46 C  
 HA5DD 14 108 15 2 7 A

**Iceland**  
 TF3AB AB 90,972 435 23 61 B

**Isle of Man**  
 GD3AIM AB 5,124 107 12 30 C

**Italy**  
 I1BUQ AB 117,600 407 38 120 C  
 I1ER " 5,920 66 18 19 C  
 I1DAG " 3,775 63 10 15 C  
 I1BCB 28 9,240 95 13 27 C  
 I1REK " 6,464 101 10 22 C  
 I1BLF " 1,638 44 7 6 C  
 I1YCY 21 3,531 107 10 23 C  
 I1AFS 14 43,407 359 16 37 C  
 I1ZCN 7 2,871 81 5 28 C

**Luxembourg**  
 LX2GH AB 61,835 339 27 56 A

**Netherlands**  
 PA0RE AB 668,289 860 91 240 C  
 PA0LZ AB 477,158 827 76 177 C  
 PA0TAU " 176,656 396 48 115 C  
 PA0YB " 163,680 445 47 113 B  
 PA0LLOU " 158,522 432 50 119 B  
 PA0BNG " 98,943 288 61 116 B  
 PA0SNG " 43,648 204 32 96 B  
 PA0ZV " 38,148 174 36 96 A  
 PA0WTJ " 28,408 155 32 74 B  
 PA0NIC " 10,858 110 27 62 C  
 PA0CE " 7,620 89 14 26 B  
 PA0NW " 6,448 76 10 21 B  
 PA0GNI " 4,032 74 12 20 C  
 PA0TA " 3,402 81 7 35 B  
 PA0YN " 2,952 32 18 10 B  
 PA0LY " 2,725 37 13 19 A  
 PA0HOR " 352 12 9 7 C  
 PA0QT 21 28,810 173 18 49 C  
 PA0ZL 14 36,556 226 25 51 B  
 PA0HJK " 17,732 131 21 41 B  
 PA0RL " 3,838 49 15 23 A  
 PA0WTM " 360 18 4 11 A  
 PA0AMC " 3 2 1 2 A  
 PA0LV 3.5 3,915 148 4 23 C  
 PA0IP " 3,332 95 7 27 C

**Northern Ireland**  
 G13AXI AB 169,176 485 46 122 B  
 G131VJ 28 15,846 154 14 43 B

Norway

Table listing radio call signs and frequencies for Norway, including LAIK, LATX, LA2G, LA2Q, LA6Q, LA6U, LA6CF, LA5S, LA7Z, LA5HE, LA8UD, LA8UD, LA8ZC, LA3HA, LA3UF.

Poland

Table listing radio call signs and frequencies for Poland, including SP3PL, SP2AP, SP5AA, SP6WM, SP3AK, SP2LV, SP8CK, SP2DX, SP6XA, SP2EQ, SP2BK, SP5HS, SP5GX, SP6LB, SP4KA, SP3KAB, SP3AG, SP3PK, SP2GS, SP5KME.

Table listing radio call signs and frequencies for Poland (continued), including SP2CX, SP5FP, SP9EU, SP3KCD, SP3HC, SP2CJ, SP3LI, SP9DT, SP3KBJ, SP9GJ, SP5IA, SP9DH, SP1JV.

Roumania

Table listing radio call signs and frequencies for Roumania, including YO3RF, YO2BA, YO7EF, YO3FT, YO2BD, YO2BW.

Scotland

Table listing radio call signs and frequencies for Scotland, including GM3GUJ, GM3EOJ.

Sicily

Table listing radio call signs and frequencies for Sicily, including IT1TAI, ITAGA.

Spain

Table listing radio call signs and frequencies for Spain, including EA4GA, EA1AB, EA3GF, EA1CP, EA5EV, EA7IA, EA2CR, EA3KT, EA5FK.

Sweden

Table listing radio call signs and frequencies for Sweden, including SM5AQQ, SM6ID, SM5ANY, SM5LL, SM6BDS, SM6AMR, SM5BZ, SM7EH, SM5XX, SM5AEV, SM5ARR, SM6CZE, SM6VY, SM5KX, SM4BPJ, SM5AJR, SM2CAA, SM3AKM, SM7BVO, SM3ATY, SM5DX, SM4AEQ, SM5BTX, SM7AVA.

Table listing radio call signs and frequencies for various regions including SM5KV, SM4KL, SM5AJU, SM3AOW, SM5AJR, SM3AKW, SM5BFE, SM7AKF, SM5CCE, SM5CXF, SM7MS, SL3AG, SM5AHL, SM5ATK, SM3ACP, SM5OW, SM7BY, SM5WM, SM6BMB, SM6CRA, SM4AZD, SM5AHJ, SM6JY, SM5BIC, SM5BJO, SM3QJ, SM3YF, SM5UQ, SM5CQH.

Switzerland

Table listing radio call signs and frequencies for Switzerland, including HB9QR, HB9NL, HB9MO, HB9QO, HB9TT, HB9QA, HB9KC.

U.S.S.R.

Table listing radio call signs and frequencies for U.S.S.R., including UA1DZ, UA1UZ, UA1UZ.

Ukraine

Table listing radio call signs and frequencies for Ukraine, including UB5TU, UB5CI.

Moldavia

Table listing radio call signs and frequencies for Moldavia, including UO5AA.

Lithuania

Table listing radio call signs and frequencies for Lithuania, including UP2AT.

Estonia

Table listing radio call signs and frequencies for Estonia, including UR2BU.

Wales

Table listing radio call signs and frequencies for Wales, including GW3HJR, GW3LFM.

Yugoslavia

Table listing radio call signs and frequencies for Yugoslavia, including YU4UE.

OCEANIA

Table listing radio call signs and frequencies for Oceania, including VK1ALR, VK2GW, VK2PV, VK2ARD, VK4BG, VK5JT, VK5MY, VK6RU, VK7WA.

Borneo, British North

Table listing radio call signs and frequencies for Borneo, British North, including ZC5AL.

Hawaii

Table listing radio call signs and frequencies for Hawaii, including KH6IJ, KH6AYG, KH6CEX, KH6DS, KH6COG, KH6KC, KH6AHQ.

New Zealand

Table listing radio call signs and frequencies for New Zealand, including ZL1MQ, ZL2AHT, ZL4BO, ZL1APM.

Papua Territory

Table listing radio call signs and frequencies for Papua Territory, including VK9XK.

Philippine Is.

Table listing radio call signs and frequencies for Philippine Is., including DU7SV.

SOUTH AMERICA

Table listing radio call signs and frequencies for South America, including Argentina (LU5AQ, LU8BAJ, LU7AS, LU2DMS), Brazil (PY2KD, PY7AN, PY7AFK, PY2JU, PY3QX, PY4AO), Chile (CE3AG), Netherlands, W. I. (PJ2AV), Peru (OA4FA, OA4BP), Uruguay (CX2CO, CX2AM, CX9AJ, CX6CB), Venezuela (YV5BJ, YV5FL).

Brazil

Table listing radio call signs and frequencies for Brazil (continued), including PY2KD, PY7AN, PY7AFK, PY2JU, PY3QX, PY4AO.

Chile

Table listing radio call signs and frequencies for Chile, including CE3AG.

Netherlands, W. I.

Table listing radio call signs and frequencies for Netherlands, W. I., including PJ2AV.

Peru

Table listing radio call signs and frequencies for Peru, including OA4FA, OA4BP.

Uruguay

Table listing radio call signs and frequencies for Uruguay, including CX2CO, CX2AM, CX9AJ, CX6CB.

Venezuela

Table listing radio call signs and frequencies for Venezuela, including YV5BJ, YV5FL.

MULTI-OPERATOR NORTH AMERICA

United States

Table listing radio call signs and frequencies for United States, including WI1WAI, W1AF, W2HTI, W2IKZ, K2IXP, W2LYO, W3VKD, W3FYS, W3DAO, W4FGM, K5CAO, W5IAH, W6RW, W6TPJ, W6NKR, K6EVR, K6ICS, W9AVJ, W9IRH, W9LNI, W9LNI/Ø.

Alaska

Table listing radio call signs and frequencies for Alaska, including KL7PJ.

Grand Turk Is.

Table listing radio call signs and frequencies for Grand Turk Is., including VP5FH.

Africa

Table listing radio call signs and frequencies for Africa, including 5A5TE.

Libya

Table listing radio call signs and frequencies for Libya, including 5A5TE.

Morocco

Table listing radio call signs and frequencies for Morocco, including CN8IF.

South Africa

Table listing radio call signs and frequencies for South Africa, including ZS5DE.

Asia

Singapore

Table listing radio call signs and frequencies for Singapore, including VS1HU.

Ryukyu Is.

Table listing radio call signs and frequencies for Ryukyu Is., including KR6QA.

EUROPE

Belgium

Table listing radio call signs and frequencies for Belgium, including ON4SZ, ON4CK.

Bulgaria

Table listing radio call signs and frequencies for Bulgaria, including LZ1KPZ.

Czechoslovakia

Table listing radio call signs and frequencies for Czechoslovakia, including OK1AWJ, OK1KCI, OK1KHH, OK1KKJ, OK2KZO.

England

Table listing radio call signs and frequencies for England, including G3IZW, G3FUR, G2BOZ, G3JUL.

Germany

Table listing radio call signs and frequencies for Germany, including DJ3JZ, DL1IN, DM3KBL, DL8CM.

Hungary

Table listing radio call signs and frequencies for Hungary, including HA5KBP, HA1KSA, HA1KVM.

Italy

Table listing radio call signs and frequencies for Italy, including I1ALU.

Poland

Table listing radio call signs and frequencies for Poland, including SP6KBE, SP1KAA, SP9KAD, SP1KBT, SP9KBH.

Roumania

Table listing radio call signs and frequencies for Roumania, including YO2KAB, YO2KBB.

Sweden

Table listing radio call signs and frequencies for Sweden, including SM7WT.

Switzerland

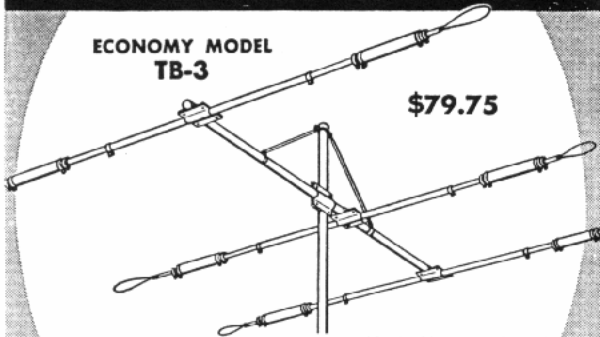
Table listing radio call signs and frequencies for Switzerland, including HB9WE.

New Amate Equipm LIF

**NEW TRIBANDERS — LOW PRICES**

**ECONOMY MODEL  
TB-3**

**\$79.75**

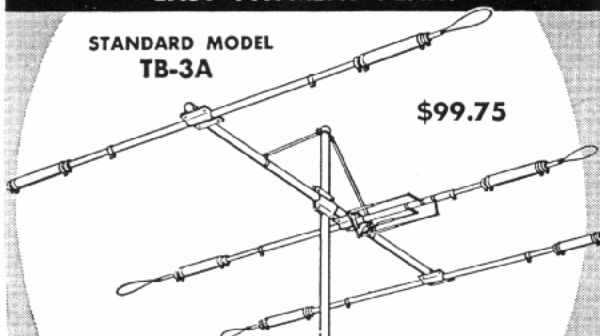


10-15-20 METER — FORMED ALUMINUM FITTINGS  
GAIN 8db AVERAGE • F/B 25db AVERAGE  
MAXIMUM SWR 1.65:1 ONE FEED LINE

**EASY PAYMENT PLAN!**

**STANDARD MODEL  
TB-3A**

**\$99.75**

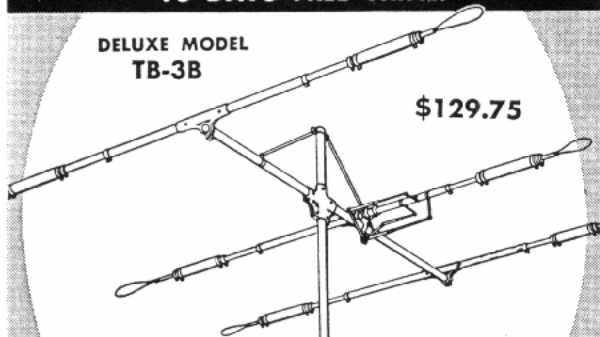


SAME AS ABOVE PLUS HORNET'S ADJUST-A-GAM\*  
FOR PERFECT 1:1 SWR.

**10 DAYS FREE TRIAL!**

**DELUXE MODEL  
TB-3B**

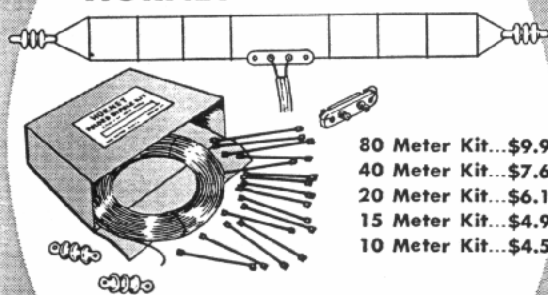
**\$129.75**



DELUXE MODEL WITH ADJUST-A-GAM\* PLUS  
HORNET'S STREAMLINED CAST ALUMINUM FITTINGS

**GUARANTEED FOR ONE YEAR!**

**HORNET FOLDED DIPOLE KITS**



80 Meter Kit...\$9.95  
40 Meter Kit...\$7.65  
20 Meter Kit...\$6.15  
15 Meter Kit...\$4.95  
10 Meter Kit...\$4.50

Hornet Folded Dipole Kits offer the easiest, most economical way to put up a folded dipole. Kits are available for the five lower frequency amateur bands.

WRITE FOR  
**FREE  
ILLUSTRATED  
CATALOG**



\*Pat. Pending. P.O. BOX 808 • DUNCAN, OKLA.

For further information, check number 64 on page 130.

**CONTEST RESULTS [from page 46]**

**U.S.S.R.—Ukraine**

UB5KCE  
AB 3,196 94 11 23  
(University of Khorkov)

Our thanks to the following stations for sending us their logs for checking purposes. Even those from SLWs sometimes prove useful.

**OCEANIA**

**Guam, M. I.**

K66FAE  
AB 691,601 1321 76 105 D  
(W4WHP—K4AQL—K40PI—W5RYG)

W3MDO	DL1QS
W3VD	DL4AB
W3VTH	G3EEM
W4EE0	G6XA
W3MDI/4	G13LFH
W6CTO	JA1BCQ
W6FKZ	OK1KB1
W6ICQ/6	OK3KMY
W9MUJ	PA0PLM
W9LZ	SM4ASJ
W0YYPQ	SM5UC
VE10M	SP2SJ
VE1MF	Y03FN
VE6VO	OK2-107890/-
VE80M	SWL
CX1FB	HE9EQ/SWL

**NOVICE OPERATOR**

KN1A0K	21.	1,152	24	5	13	B
KN5K1Z	21	2,030	23	16	19	B
KN5LMJ						
	21	289	13	9	8	B
KN7A1HK						
	21	120	7	5	4	B

**U S A Club Scores**

North Jersey DX Assn.....	3,502,080
So. California DX Club.....	3,134,771
Potomac Valley Radio Club.....	2,472,403
Ohio Valley Amateur Radio Club.....	1,210,211
Frankford Radio Club.....	786,002
Northwest Amateur Radio Club.....	613,584
Conn. Wireless Assn.....	501,676
Greater St. Louis DX Club.....	396,174
Redding Radio Club.....	228,800
Western Washington DX Club.....	204,228
Rochester DX Assn.....	143,741
Teenage Radio Assn.....	129,764
Lake Success Radio Club.....	124,528
Northern California DX Club.....	99,318
Pembroke Radio Club.....	83,912
Harvard Wireless Club.....	68,250
New Bedford Amateur Radio Ops.....	64,800
Willamette Valley DX Club Inc.....	62,930
West Gulf DX Club.....	37,442
Central High Radio Club.....	34,020
Hamfester Radio Club.....	32,130
Swani Amateur Radio Club.....	20,664
Ridgewood Amateur Radio Club.....	19,053
Four Lakes Amateur Radio Club.....	5,986

Anchorage Amateur Radio Club  
(Alaska) ..... 535,053

**Foreign Club Scores**

Japan DX Radio Club (Japan).....	473,414
Poznanski Radio Club (Poland).....	226,176
Radio Society of Harron (England).....	115,482
Bydogoszes (Poland).....	106,392
Warsaw (Poland).....	84,386
Wrockaw (Poland).....	76,313
Bad Aibling Amateur Radio Club (Germany).....	73,699
Gpansk (Poland).....	55,024
F O C (Sweden).....	51,595
Mike & Key Club (Japan).....	49,712
L P Z (Poland).....	44,808
Maui Amateur Radio Club (Hawaii).....	43,398
Rzeszow (Poland).....	41,412
District of Lubin (Poland).....	40,260
Klub-W-Nowym-Bytomin (Poland).....	14,940
LODZ Radio Club (PZK) (Poland).....	7,802
Siemen Radio Amateur Club (Germany)	5,734
DL4MSA Radio Club (Germany).....	5,247
Goosebay Amateur Radio Club (Canada)	5,022
KRAKOW (Poland).....	1,785

A few Phone scores that were inadvertently left out of last month's report. Sorry fellows, we goofed.

**PHONE**

<b>Single Operator</b>		<b>Multi Operator</b>	
PJ2AA	AB 203,263 391	59 122	CKR6AF
DL4AAU			AB 74,576 233 52 66 B
	AB 68,120 262 36 68 C	(KR6BA—KR6CV—KR6JR—	
LA6CF	AB 416 26 4 12 B		KR6DS)
SP9DT	14 3,900 54 5 21 B		

**NEW C  
ASSIGN**

Amateur ra  
prefix availab  
areas of the c  
a short time.  
in the use of  
use of such ca  
reserve radio  
which is the c  
nationally to  
prefix amateu  
assignment to  
K or W pref  
a continental  
areas referred  
in accordance

1. The W
2. When
3. Call s

**THE CA**

Section 12  
Service Rules

"The call  
systemati  
exception  
(1) A  
assigned  
(2) A  
signed to  
during th  
(3) A  
signed to  
a decease  
(4) A  
signed to  
events, o  
(5) A  
sign havi  
be assign  
sign the  
a single  
All assign  
strictly in ac  
ing requests  
rule:

1. Reque
2. Reque

While the  
having the sa  
licensee who  
prior to the c  
the call sign  
immediate re  
of the Novic  
The call sig  
than Novice  
other applica  
received at th  
to 1 year aft