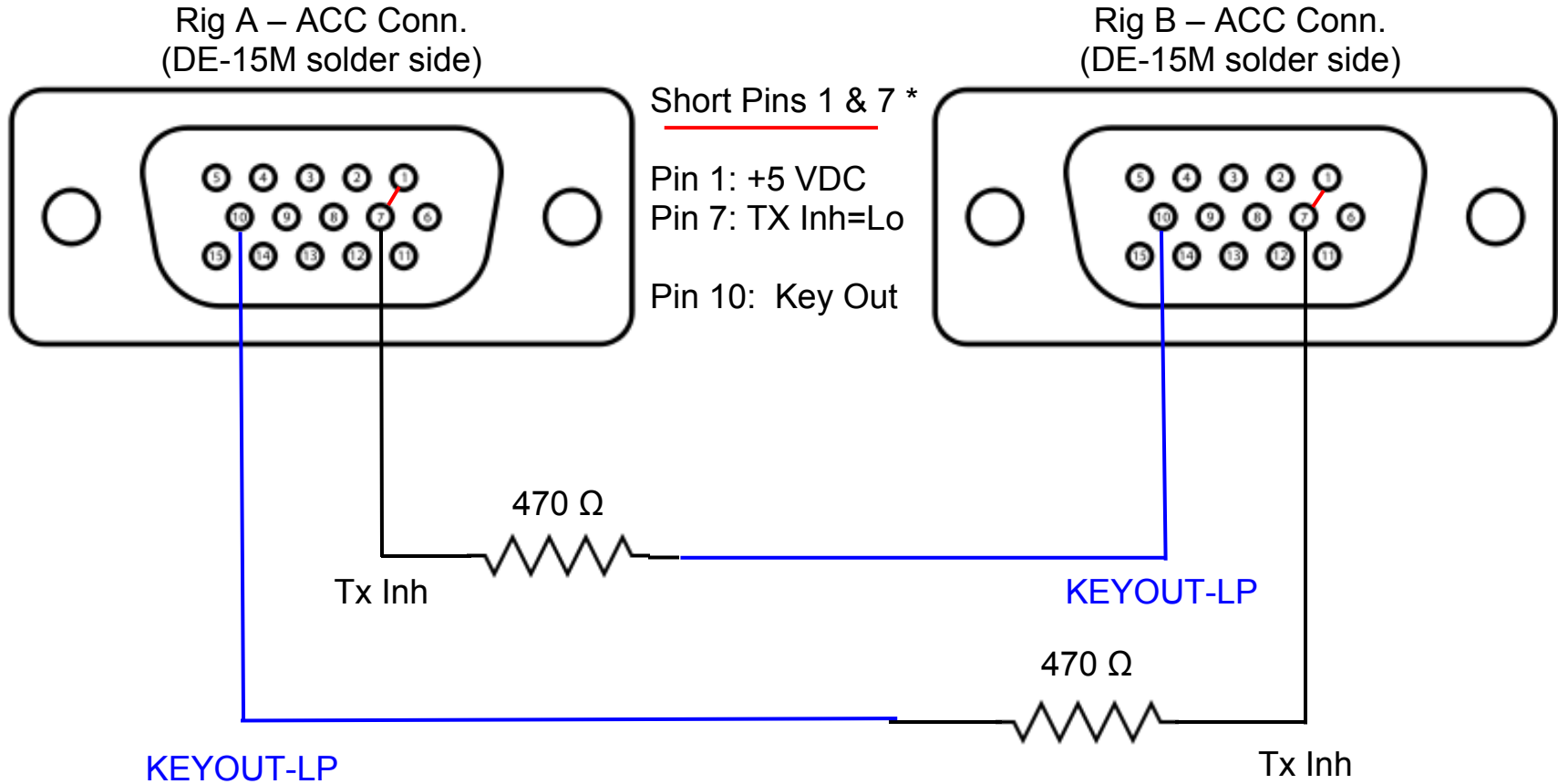


Simple SO2R Lockout Circuit for two Elecraft K3 Transceivers

FIRST: set CONFIG:TECH MD ON, then set CONFIG: TX INH LO=Inh



Note: This circuit prevents simultaneous transmission from two K3s, but if both rigs attempt to transmit, neither will transmit (as of K3 Firmware Rev. 4.42).

* Circuit cannot be used in FSK D (RTTY) or PSK D modes, which use ACC Pin 1 for FSK IN.